

SOOTPEEDS SAL SPEED LOGS



When Safety Matters



Acoustic Correlation Principle
Makes the Difference

The SAL history 1914 to present

- 1914** SAL –“Svenska Aktiebolaget Logg”
Patent on pitot tube principle and deliver the first naval SAL-log to the Royal Swedish Navy destroyer “HMS Hugin”
- 1918** The first civil SAL-log was installed on board the merchant ship s/s Hyperion.
- 1918** Svenska Ackumulator AB (later name changed to Jungner Instruments AB) acquire Svenska Aktiebolaget Logg
- 1914-1950** Models: SAL-12, SAL-14, SAL Selsyn, SAL-24
- 1950-80's** Models: SAL-59, SAL-24E and SAL-59E
- 1972** Salen&Wicander AB acquire Jungner Instruments AB
- 1972** SAL ACCOR: first generation of acoustic correlation BT/WT speed log (Patent)
- 1983** SAL Imcor: first generation of acoustic WT speed log
- 1984** SAL 840: one axis BT speed with Imcor/WT speed
- 1984** DD-1-1, the first electronic display with digital presentation and 20000 pulses +5/-5V input
- 1985** Consilium acquire Salén &Wicander Group Marine
- 1988** SAL 860: two axis BT speed with Imcor/WT speed
- 1989** SAL LEB 2-1: Log Extension Box: for multiple user connections
- 1993** SD1 and SD2: Serial Digital displays with NMEA interface
- 1993** SAL LPU, Log Processing Unit: enhances the functionality of SAL 860 to calculate transversal fore and aft speed by adding an rate of turn gyro. Optional with MFD display
- 1994** SAL LDU. Log Distribution Unit: for multiple user connections
- 1997** SAL R1: new generation of WT speed log, supersedes the SAL Imcor
- 1998** SAL 840R and SAL 860R, WT speed units changed to SAL R1
- 2002** SAL 860T: new BT main unit built on DSP-technology
- 2003** SALT1. T-series model one-axis BT/WT log with Echo-sounder
- 2003** SALT2. The first T-series BT/WT model with modular WTU unit built on DSP-technology
- 2003** SALT3. T-series BT/WT model with Echo-sounder functionality based on the new ESD computer
- 2004** SAL R1a: new WT speed log based on the WTU unit
- 2004** SAL R1/R1a TRU: improved design of the transducer unit
- 2005** SALT3+. T-series BT/WT log with Echo-sounder. Redundancy for ships over 50.000 GRT
- 2005** SALT2s. T-series model one-axis BT/WT model
- 2005** SD4: new generation of 2-way communication Digital Displays with 99x11 information display for system set-up
- 2007** SAL LPU2. Log processing Unit 2:nd generation. Extended functionality

Continuity through change

Consilium Marine & Safety the supplier of SAL Speed Logs and to date has equipped well over 20,000 ships. From the beginning Consilium has placed the emphasis on product leadership through innovation and quality. Our commitment to excellence begins with the use of superior technology and culminates with unmatched build quality to provide ship owners, builders and crews with equipment that delivers a performance second to none.

Consilium's range of SAL Speed Logs has been deliberately expanded so that Consilium is in the position to provide vessels of all size with a first class speed log system to suit its specific requirement. Using advanced technology and innovative design all users of Consilium SAL Speed Logs are able to accurately record the speed of their vessel whatever the conditions.

The pioneering spirit that personifies Consilium is clearly evident in the company's unstinting determination to find new technological solutions. And it is this unique drive for perfection that continues to be at the heart of all marine equipment Consilium manufacturers.



Greater accuracy whatever the conditions

During the 60's we conducted a series of rigorous sea trials to discover whether there was any significant difference in performance between equipment using the Acoustic Correlation Principle and that of equipment employing the Doppler Principle. During testing it became apparent that when the respective technologies were used in areas where reflections, temperature layers, salinity, roll and pitch came into play the equipment using the Acoustic Correlation Principle was far more effective at eliminating the influence of the prevailing conditions and maintained its accuracy at all times. The same could not be said of the equipment using the Doppler principle.

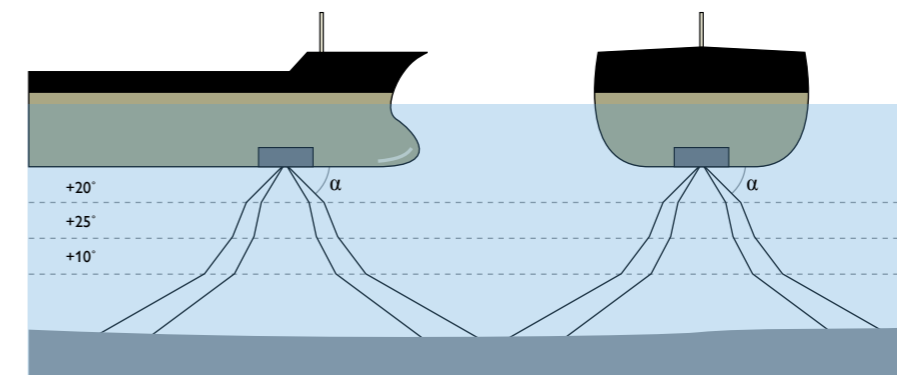
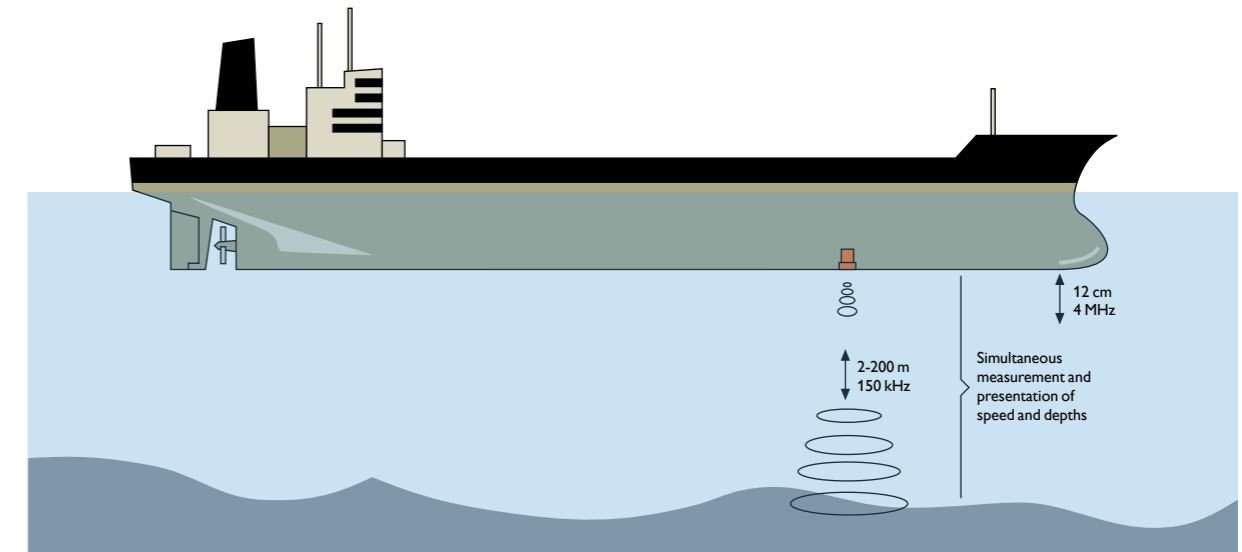
Once we had determined that ACP was unquestionably the most accurate and reliable solution we committed ourselves whole heartedly to the technology. From those early days we have successfully introduced an impressive list of new features and functionality that have been adopted as industry standards and maintained our position as the preferred choice amongst leading ship owners and builders the world over.

In addition to great accuracy our equipment is renowned for its rugged build quality, total reliability and extreme ease of use. Indispensable qualities for equipment that is crucial to the safety to sea going crafts whether they are used for business or pleasure.



The advantages of Acoustic Correlation Principle over Doppler

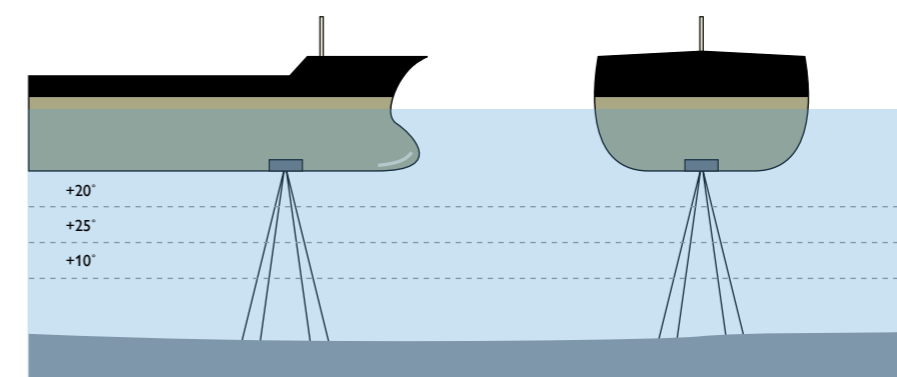
The following diagrams clearly illustrate the superiority of ACP over the Doppler based alternative. In recognition of the vast superiority of Acoustic Correlation Principle over all other alternatives Consilium has developed a broad range of SAL Speed Logs so an option is available for all types and sizes of vessels.



Doppler principle

The doppler log is using a narrow beam, transmitting at an angle α towards the bottom.

This method will cause problems when measuring speed.



Correlation principle




The correlation log is using a wide beam, transmitting vertically towards the bottom.

No influence on speed measuring.

Building on success

Consilium's range of SAL Speed Logs offer a choice of both relative and true speed versions. In addition Consilium also offers the world's first combined system which is type approved and equipped with a speed log and an echo sounder.

You can choose from a comprehensive range SAL Speed Logs Consilium's has thoughtfully extended its product range to ensure that whatever vessel you are building or is undergoing a retro-fit you have the option to equipped it with a class leading product.

SAL Speed Logs and Echo Sounders				
Log Type	SAL R1a ¹ 	SALT1 ¹ 	SALT2 ^{1,2} 	SALT3 ¹ SALT3+ ² 
Water Track	Yes	No	No	No
Bottom Track	No	Yes	Yes	Yes
Dual Axis Log	No	No	Yes	Yes
Docking Log	No	No	Yes	Yes
Echo Sounder	No	Yes	No	Yes

¹ Smaller than 50,000 GRT. Solas requires minimum a water tracking speed log.

² Bigger than 50,000 GRT. Solas requires a water tracking and bottom tracking dual axis speed log.



SAL R1a

This system is a one-axis relative speed log – measures speed through water in longitudinal direction ahead and stern.

SALT2

This system measures longitudinal and transversal true speed and longitudinal relative speed. This version is also available as a docking log.

SALT3

This system combines the features of SAL T2 with echo sounding – measures relative speed as well as two axis true speed and water depth down to 250 meters. (This is the world's first approved combination of speed log and echo sounder in one housing using only one combined transducer.)

Consilium SAL Speed Logs give you more

As a company committed to the highest quality you'll find all our equipment combines state-of-the art technology with robust built quality.

Key features for the various components include:

Transducers TRU

- Compact size means it requires less space.
- Light weight ensures easy installation.
- Flush mounted to the hull for better protection.
- One hull penetration, one installation, common cabling means lower installation costs.
- Sea-valve for easy exchange while afloat.

Electronics unit

- The ELC uses Digital Signal Processing (DSP) technology for superior performance.
- Versatile displays for two-way communications.
- Remote calibration and set-up can be accomplished from the bridge. Ideal for sea trials and speed testing.
- Common mounting for both the wheel-house and bridge wings.
- Comprehensive range of accessories.

- Uses standard ships cable for NMEA signalling from the ELC to the instrument room and bridge.

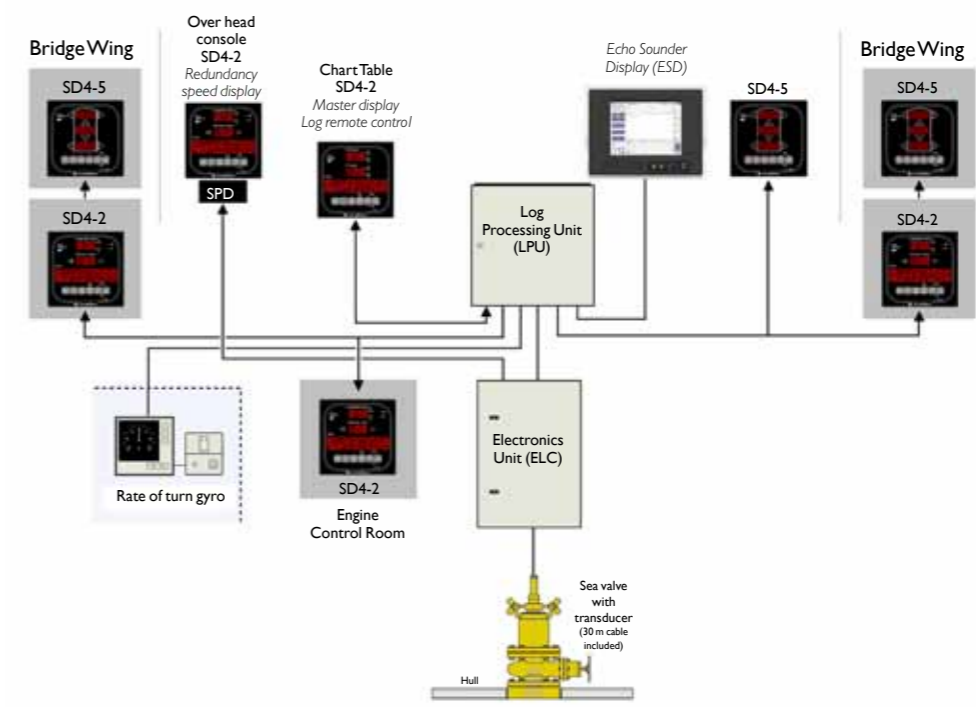
Advanced functionality

- Acoustic correlation principle for highly accurate performance.
- Resistant to interferences from rolling, pitching, salinity and temperature layers.
- Integrated Echo sounder and speed log functionality.
- Capable of simultaneously measuring speed over water, speed through water and depth.
- High reliability rating.
- Low service and maintenance costs.
- Proven technology.
- Built by long term and highly regarded manufacturer of marine products.

For more technical information

For more detailed technical information concerning a specific model simply ask your local Consilium representative for the product brochure alternatively download a version from our website at www.consilium.se

WHEEL HOUSE



<p>Global Service Network Consilium Marine & Safety is represented in more than 50 countries and has a presence in the most frequently used ports around the world. Customers are able to obtain spare parts or conduct servicing via the network of subsidiaries and agents so no matter where they are they're never far from a Consilium expert.</p>	<p>After sales support you can rely on Consilium prides itself on providing customers with the benefit of a highly trained and resourceful after sales team. Each member of the team is fully experienced so customers have the added assurance of knowing that when they buy from Consilium complete customer satisfaction is an essential part of the deal.</p>	<p>Training on demand To help customers to get the most out of their equipment Consilium provides comprehensive educational courses and training seminars from their global network of offices. So should a customer have a special requirement Consilium representatives can help make all the necessary arrangements to conduct teaching seminars where attendees can discover everything there is to know about a particular product and its functions.</p>
--	--	---

Consilium worldwide



SWEDEN

Consilium Marine & Safety AB

Fire & Gas Marine Division
 Gothenburg
 Phone: +46 31 710 77 00
 cmsab@consilium.se

Navigation Division
 Stockholm
 Phone: +46 08 563 05 100
 cmsab@consilium.se

Storm & Co Skeppsradio AB
 Gothenburg
 Phone: +46 31 51 35 10
 stormco@stormco.se

BELGIUM

Consilium Marine Systems BV
 Zeebrugge
 Phone: +32 50 70 30 97

CHINA
Consilium Shanghai Co. Ltd.
 Shanghai
 Phone: +86 21 5152 22 60
 sales@consilium.cn

Dalian
 Phone: +86 411 8386 4460

FINLAND

Consilium Marine OY
 Helsinki
 Phone: +358 405 25 28 25
 info@consiliummarine.fi

GERMANY

Consilium GmbH
 Hamburg
 Phone: +49 40 822 22 95-0
 consilium@consilium-hamburg.de

GREECE

Consilium Marine Hellas
 Piraeus
 Phone: +30 210 428 7097/8
 info@consiliumhellas.gr

INDIA

Consilium India Pvt. Ltd.
 Mumbai
 Phone: +91 2267935 150-53

Vishakhapatnam:
 Phone: +91 891 301 03 20
 consilium.vizag@consilium.ae

ITALY

Consilium Marine Italy Srl.
 Florence
 Phone: +39 0571 68121
 cmI@consilium.it

Genova
 Phone: +39 010 5533900

Naples
 Phone: +39 081 54 23122

JAPAN

Consilium Nittan Marine Ltd
 Tokyo
 Phone: +81 03 5465 1881
 info@consilium-nittan.com

NETHERLANDS

Consilium Marine Systems BV
 Rotterdam
 Phone: +31 182 382 422

NORWAY

Consilium Scandinavia AS
 Oslo
 Phone: +47 22 30 90 30
 mail@consilium-norway.no

SPAIN

Consilium RMI Spain S.A.
 Bilbao
 Phone: +34 94 404 2121
 attcliente@consiliumrmispain.com

Algeciras
 Phone: +34 94 404 2121

Las Palmas
 Phone: +34 94 404 2121

Barcelona
 Phone: +34 94 404 2121

Valencia
 Phone: +34 94 404 2121

SINGAPORE

Consilium Marine
Singapore Pte. Ltd.
 Singapore
 Phone: +65 6570 8998
 mail@consilium.sg

SOUTH KOREA

Consilium Marine Korea Ltd.
 Pusan
 Phone: +82 51 740 5869/71-3

QATAR

Consilium Qatar LLC
 Doha
 Phone: +974 466 53 32

UAE

Consilium Middle East (FZC)
 Sharjah
 Phone: +971 6 55 70 740

UAE cont

Consilium Middle East
General Contracting LLC
Consilium Middle East Eqip
& Spare Parts LLC
 Abu Dhabi
 Phone: +971 2 622 93 46

UK

Consilium Marine UK
 Folkestone
 Phone: +44 1268 41 77 45
 info_uk@consilium.co.uk

Glasgow

Phone: +44 1268 41 77 45

USA

Consilium Marine US
 Fort Lauderdale
 Phone: +1 954 791 7550

Long Beach
 Phone: +1 954 791 7550

VIETNAM

Consilium Vietnam JSC
 Hanoi
 Phone: +84 4 37 93 14 31

Ho Chi Minh City
 Phone: +84 8 410 13 38



www.consilium.se